

Gjutjärnskamin Kamilla 130

KOZA/K6/130

EAN:

5901350037331

Stove fits perfectly into the stylish interiors, an excellent solution for those who appreciate the traditional style.

Gwarancja

5



Technical Specifications

Rated output (kW)	8,0
Efficiency (%)	70,0
Exhaust outlet diameter (mm)	130
Complies with Ecodesign criteria	Yes
Designed for heat recovery unit	No
Fuel type	seasoned hardwood (moisture $\leq 20\%$), abgelagertes hartholz (feuchtigkeit $\leq 20\%$), bois dur séché (humidité $\leq 20\%$), madera dura sazonada (humedad $\leq 20\%$), sezonowane drewno liściaste (wilgotność $\leq 20\%$), legno duro stagionato (umidità $\leq 20\%$), legno duro stagionato (umidità $\leq 20\%$), высушенная лиственная древесина (влажность $\leq 20\%$)
Weight (kg)	119,0
CO emission (at 13% O ₂) \leq given in %	0,11
Flue gas temperature (°C)	320,0
Max log length (cm)	35
Emission of dust (mg/Nm ³)	22,0
Compliance with BImSchV 2 standard	No

Kamineronline.se
Hög kvalitet • Bra priser • Snabb leverans



The energy efficiency index EEI	91,50
The seasonal space heating energy efficiency (%)	60,00
Glazing type	flat, flache vorderseite, front plat, frente plano, proste, fronte piatto, plochá přední strana, плоский фасад
Opening of the doors	left-hand, links, à gauche, a sinistra, w lewo, a sinistra, levá ruka, левый
Material	cast iron, gusseisen, la fonte, hierro fundido, želiwo, ghisa, litina, чугун
Width (cm)	57,80
Height (cm)	63,00
Depth (cm)	49,00
External air inlet	No
The liner of the combustion chamber	No
Ashpan	Yes
Decorative printed glass	No
ASDP - automatic control of the air supply	No
Turbine TURBOFAN	No
Water panel	No

Features

MAXIMUM USE OF ENERGY

Maximum use of heat and trouble-free operation thanks to the walls of the device made of high quality cast iron with a thickness of 8 mm.

Combustion of fuel particles thanks to deflector, which extends the exhaust gas path.

Turbofan, a special device, which task is to efficiently distribute the heat generated by the device in room, where it works.

SAFETY AT THE HIGHEST LEVEL

Classic front of insert is equipped with a heat-resistant ceramics that can withstand temperatures up to 660°C.

Decorative fence helps to maintain the tidiness and protects against falling out of wood.

CONVENIENT TO USE

The cold handle system allows to disassembly it when the stove is in use.

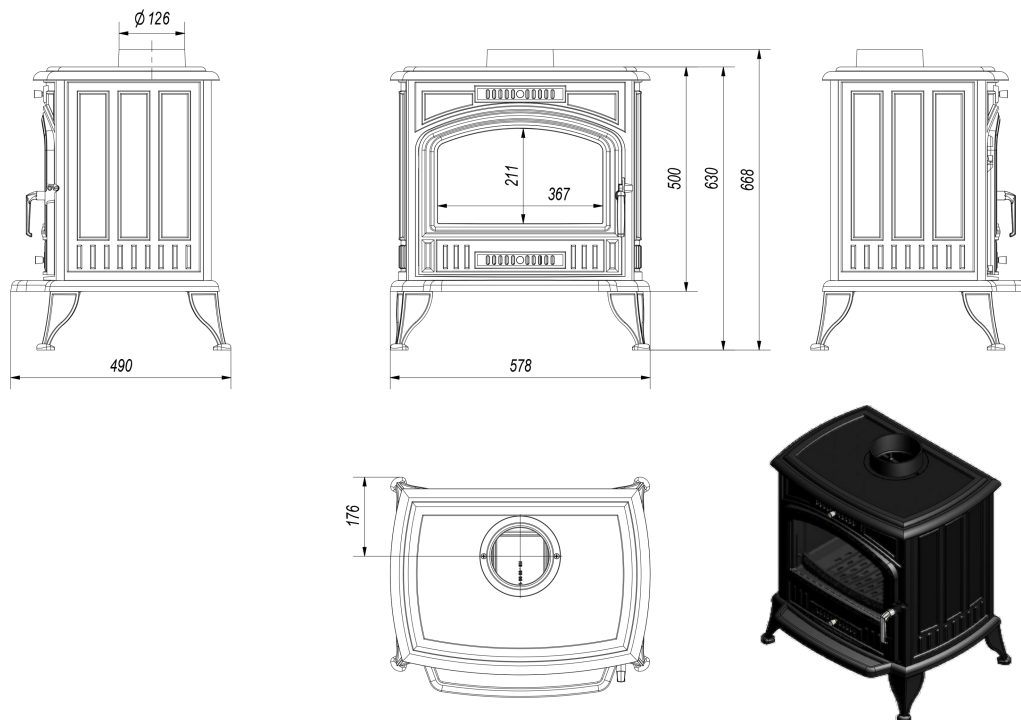
Ash drawer / ashtray, where the remains of burnt wood are gathered and grate for easy ash removal.

Reduced soot deposition through a system of pure glass (air curtain).

The possibility of different assembly, thanks to the adjustable outlet of flue gas from the back or top of the stove.

5 year warranty.

Technical drawing



Additional options



Hot plates for stoves

Hot plates for STOVE K6, K9, K10 along with poker.



Decorative openwork "M" for stoves

Decorative openwork "M" for freestanding stoves K6 and K9.



Decorative openwork "VV" for stoves

Decorative openwork "VV" for freestanding stoves K6 and K9.