

# Braskamin Kamilla 130

KOZA/K6/130/PW/W

EAN:

5901350060193

Stove fits perfectly into the stylish interiors, an excellent solution for those who appreciate the traditional style.

Shipping on pallet

transfer - zł106.00

COD - zł111.00

Implementation within

14 days



## Technical Specifications

Rated output (kW)	8,0
Average power of the water (kW)	2,0
Range of heating power (kW)	5.4 - 10.5
Efficiency (%)	76,0
Exhaust outlet diameter (mm)	130
Complies with Ecodesign criteria	No
Designed for heat recovery unit	No
Fuel type	recommended seasoned hardwood with moisture $\leq 20\%$
Weight (kg)	120,0
Water capacity (l)	5,0
CO emission (at 13% O <sub>2</sub> ) $\leq$ given in %	0,30
Flue gas temperature (°C)	290,0
Max log length (cm)	35
Compliance with BImSchV 2 standard	No
The energy efficiency index EEI	100,18
Glazing type	straight

Opening of the doors	to the left
Material	cast iron, steel
Width (cm)	57,80
Height (cm)	66,80
Depth (cm)	50,00
External air inlet	No
The liner of the combustion chamber	No
Ashpan	Yes
Decorative printed glass	No
ASDP - automatic control of the air supply	No
Turbine TURBOFAN	No
Water panel	Yes

## Features

---

### MAXIMUM USE OF ENERGY

Maximum use of heat and trouble-free operation thanks to the walls of the device made of high quality cast iron with a thickness of 8 mm.

Stove equipped with a water panel made of 4mm stainless steel.

Insert has a permanently mounted two connectors with internal thread 1 inch, for connection to the water circuit. The connected system must be in an open system, and heated water can not be used as useful.

Combustion of fuel particles thanks to deflector, which extends the exhaust gas path.

Manual control of the combustion process through the ashpan.

### SAFETY AT THE HIGHEST LEVEL

Classic front of insert is equipped with a heat-resistant ceramics that can withstand temperatures up to 660°C.

Decorative fence helps to maintain the tidiness and protects against falling out of wood.

### CONVENIENT TO USE

The cold handle system allows to disassembly it when the stove is in use.

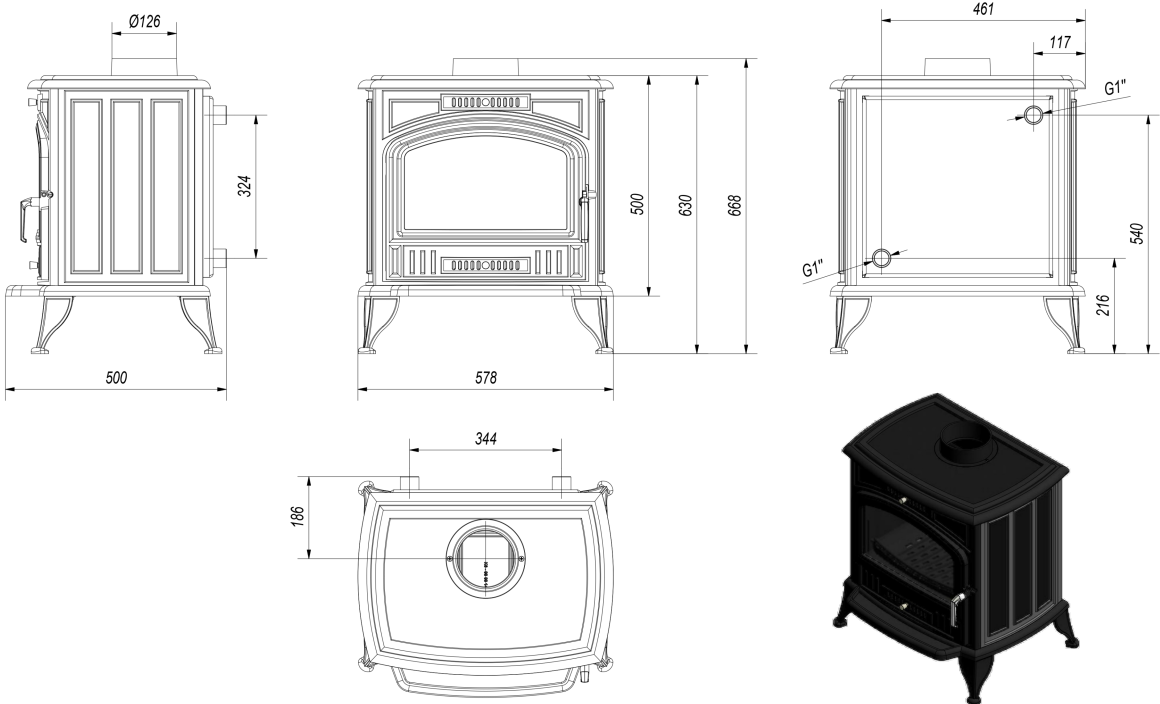
Ash drawer / ashtray, where the remains of burnt wood are gathered and grate for easy ash removal.

Reduced soot deposition through a system of pure glass (air curtain).

5 year warranty.

# Technical drawing

---



# Additional options

---